

Runway Use Report

Chicago Midway International Airport

Period: May 2009

Time of Day: All hours



Runway Utilization (All Hours)

Source: Airport Noise Management System (ANMS)

Runway
Flight Direction

Average Daily Operations

Departures

- May 2009
- 12 Month Average

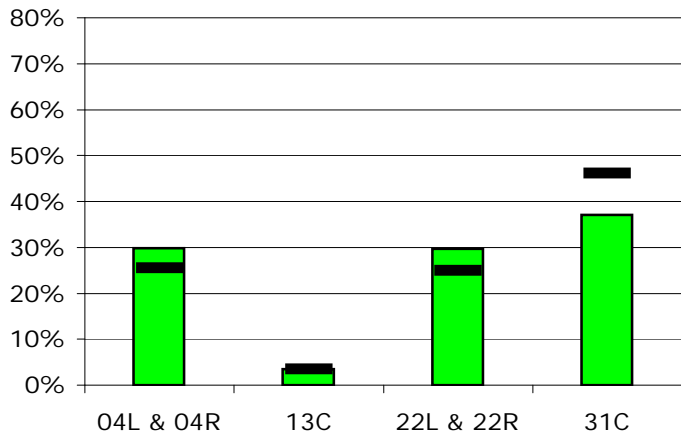
Arrivals

- May 2009
- 12 Month Average

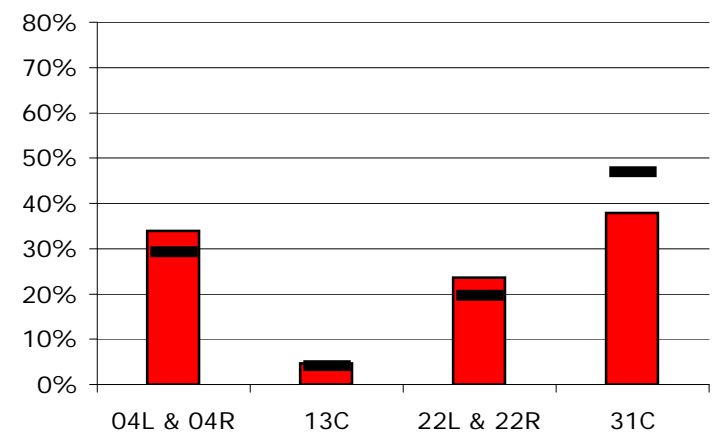
Runway Utilization (All Hours)

04L & 04R <u>NE</u>	13C <u>SE</u>	22L & 22R <u>SW</u>	31C <u>NW</u>
95	11	94	118
79	11	78	144
109	15	76	122
92	13	62	147

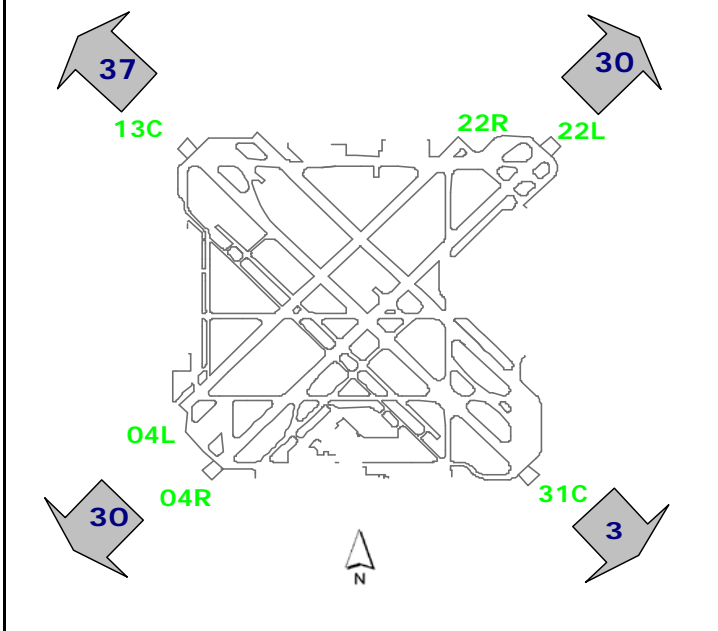
Departures (All Hours)



Arrivals (All Hours)



Percentage Departure Utilization



Percentage Arrival Utilization

