

# Runway Use Report

Chicago Midway International Airport

Period: March 2009

Time of Day: All hours



## Runway Utilization (All Hours)

Source: Airport Noise Management System (ANMS)

**Runway  
Flight Direction**

**Average Daily Operations**

**Departures**

- March 2009
- 12 Month Average

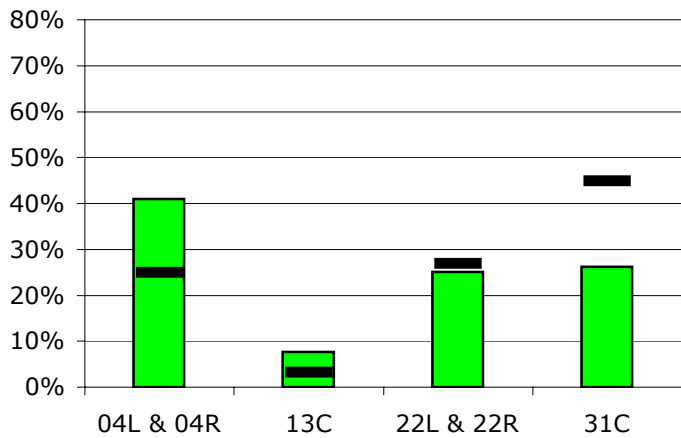
**Arrivals**

- March 2009
- 12 Month Average

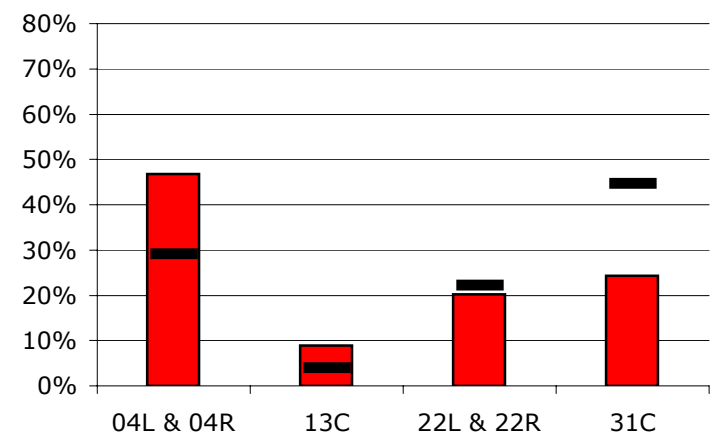
### Runway Utilization (All Hours)

04L & 04R <i>NE</i>	13C <i>SE</i>	22L & 22R <i>SW</i>	31C <i>NW</i>
121	23	74	77
62	8	67	112
140	26	60	72
73	10	55	111

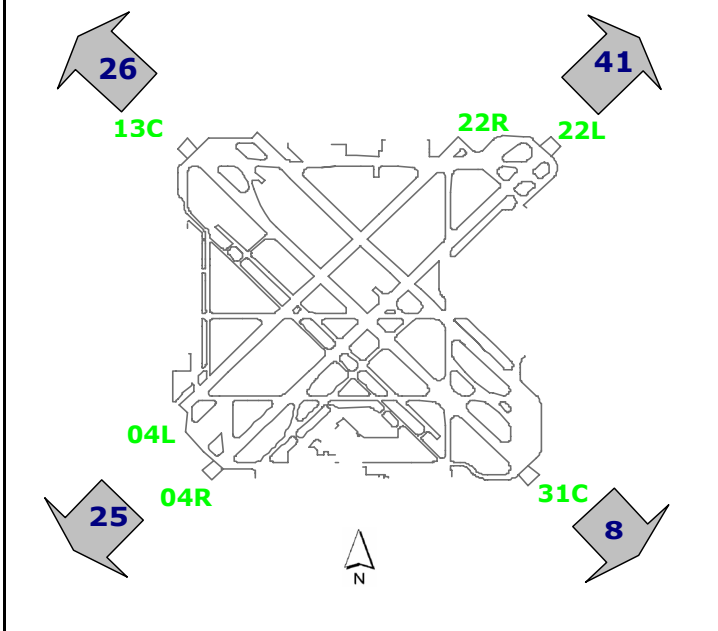
## Departures (All Hours)



## Arrivals (All Hours)



## Percentage Departure Utilization



## Percentage Arrival Utilization

