

Runway Use Report

Chicago Midway International Airport

Period: January 2009

Time of Day: All hours



Runway Utilization (All Hours)

Source: Airport Noise Management System (ANMS)

**Runway
Flight Direction**

Average Daily Operations

Departures

- January 2009
- 12 Month Average

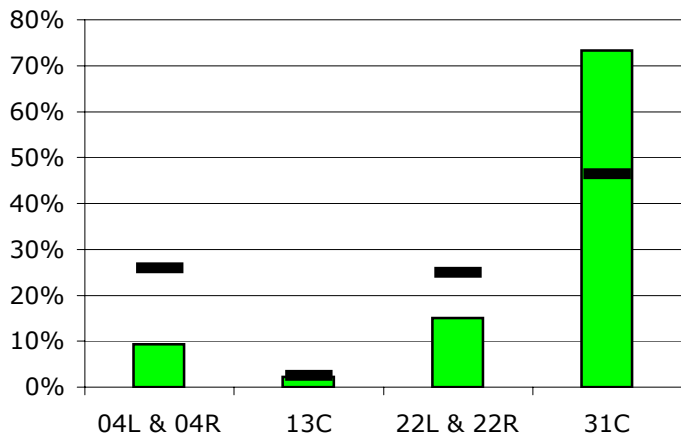
Arrivals

- January 2009
- 12 Month Average

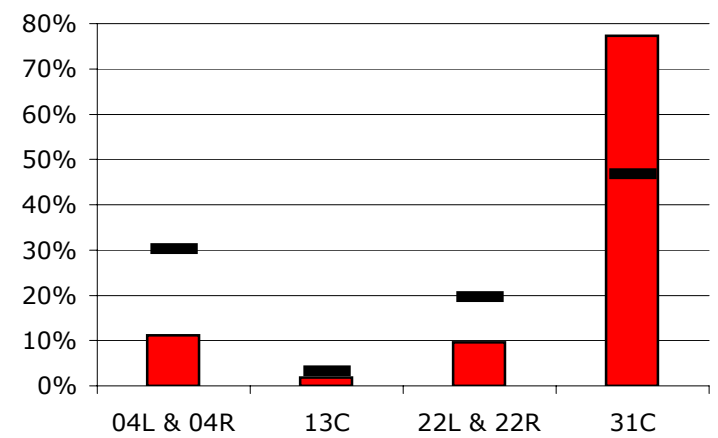
Runway Utilization (All Hours)

04L & 04R <i>NE</i>	13C <i>SE</i>	22L & 22R <i>SW</i>	31C <i>NW</i>
24	6	39	189
67	7	65	120
29	5	25	201
78	8	51	121

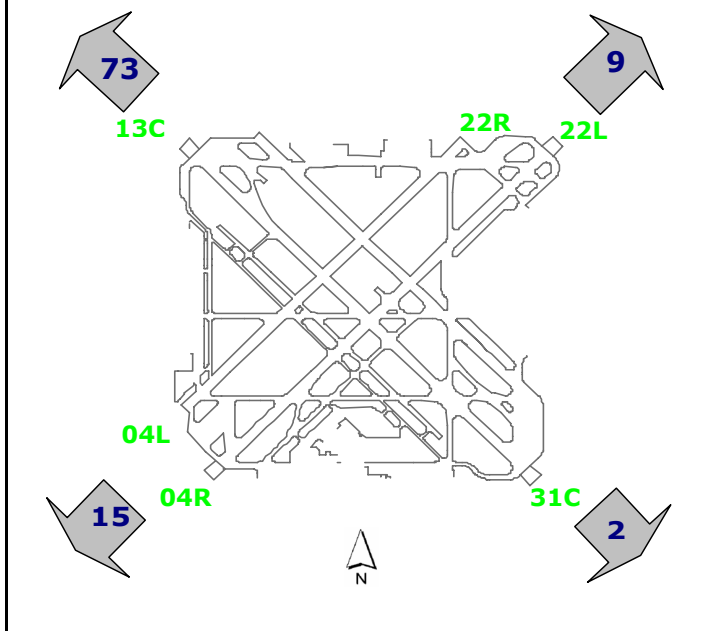
Departures (All Hours)



Arrivals (All Hours)



Percentage Departure Utilization



Percentage Arrival Utilization

